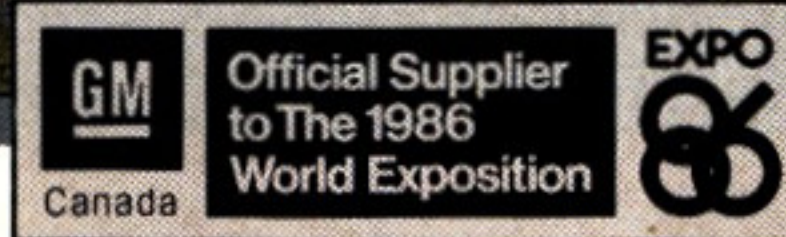


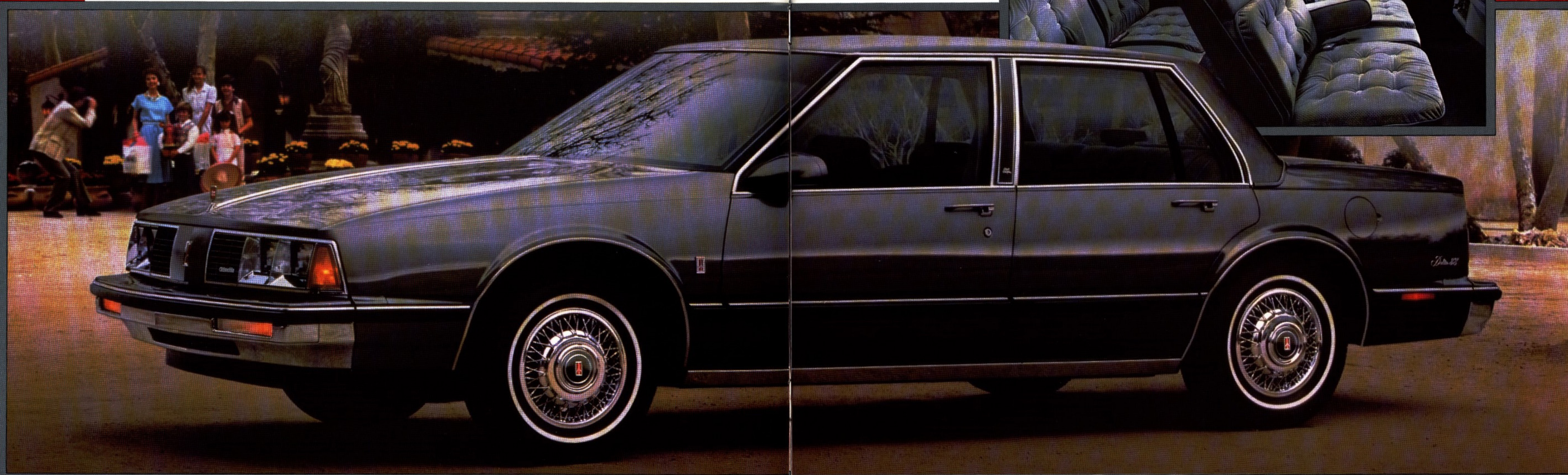
1986 OLDSMOBILE
DELTA 88 ROYALE AND CUSTOM CRUISER



DELTA 88 ROYALE BROUGHAM SEDAN

Sleeker, more attractive, more aerodynamic: that's Delta 88 for 1986. Totally redesigned. Delta 88 owners like a smooth ride and easy handling. So we improved ride and handling with front-wheel drive, rack-and-pinion steering and four-wheel independent suspension. Improved corrosion resistance. Improved acoustics. Even an improved exterior finish with our best multi-coat/high-gloss enamel paint. Delta 88's full-size value is in great shape in 1986.

Inside, we made sure that Delta 88 is as roomy as ever. Then we added more support to the rich velour or available leather full-foam seats. Four-Season air conditioning. Electronically tuned AM/FM stereo system. Soft-Ray tinted glass.



DELTA 88
ROYALE SEDAN

The look, the ride and the spacious comfort of Delta 88 Royale have made it one of North America's most popular full-size cars. And in 1986, Royale offers all-new style, and more

value than ever before. Among the standard equipment, Four-Season air conditioning and 4-speed overdrive automatic transmission.



DELTA 88
ROYALE COUPE

Choose from three levels of ride control. Standard: Level II, a Firm Ride and Handling Package for improved handling response; or

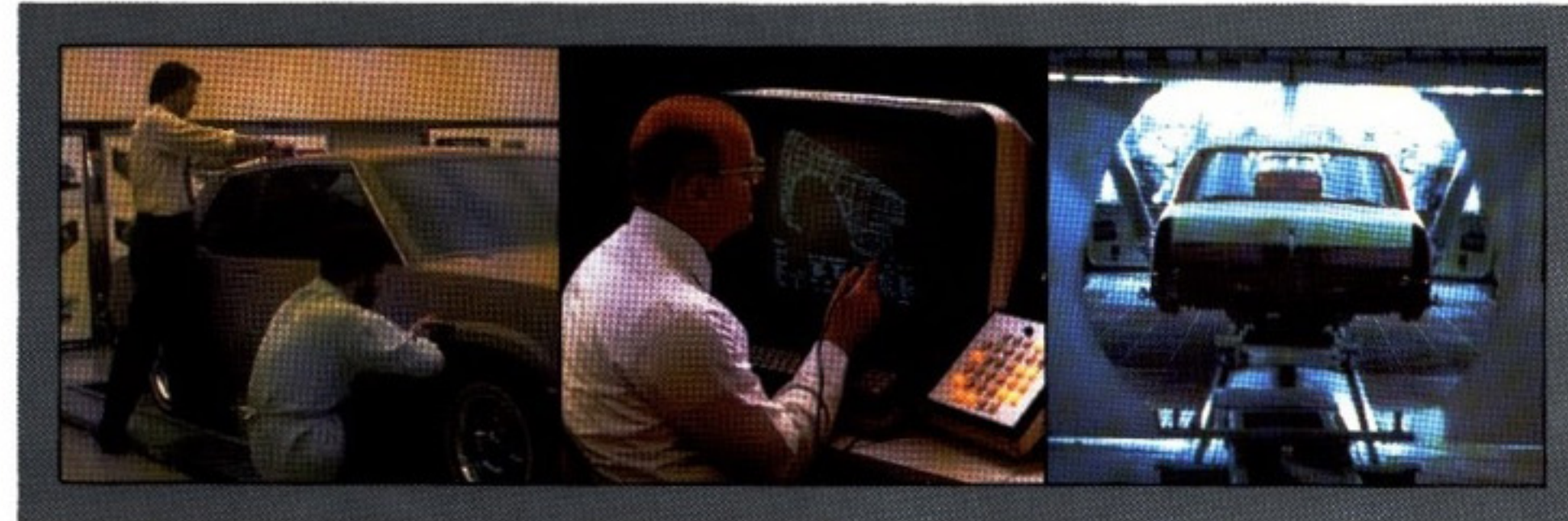
Level III, a Touring Suspension system for even higher levels of driver control. Automatic electronic load levelling is also available.



Delta 88 Royale interiors, in Prima II Velour, are available in five handsome colours. Brougham interiors come in elegant Summit velour, or available leather. Six can stretch out in comfort in Delta 88 Royale's spacious interior. A divided bench seat with individual controls is available (standard on Brougham).



DELTA 88 ROYALE
OLDSMOBILE QUALITY



Quality starts with design.

Computer aids in design and manufacture.

Quality that was designed-in is, in fact, built-in.

Oldsmobile's single-minded dedication to quality.

It starts with quality people working together, pooling their resources. Stylists. Design, manufacturing, and production engineers. Teams of workers with intensive instruction and experience in robotics, pneumatics, hydraulics, electronics, microcircuitry, and more.

Today's quality requires tools that never before existed.

From the beginning, computer-assisted design and computer-assisted manufacture (CAD/CAM) were important parts of the planning that went into the Delta 88 Royale. And that regulated its progress thereafter. 175 robots – some as big as a two-story building – are used to weld and seal with uncanny precision.

Putting it all together: five automated body systems.

Throughout the assembly process, the highest technology assures the strength, accuracy and integrity of the Delta 88 Royale body structure.

The rear compartment, floor pan and motor compartment are welded together using 21 automatic welders, two welding presses, and 20 robots.

A massive robogate welding machine establishes the precise dimensional inter-relationship between the major assemblies. The body is automatically clamped into position for the framing operation, which employs 10 robots. Spot welds on the body done automatically through the entire process will total almost 5,000.

A variety of machines, such as contact probes and laser sensors, inspect and audit vehicles to assure that the assembly meets Oldsmobile's standard of excellence.

New techniques to keep your Delta 88 Royale looking "showroom new".

Every Delta 88 Royale body is dipped in an ELPO bath of rust resistant primers, before being given a lustrous multi-coat/high-gloss enamel paint job. Completed cars are put through "Dynamic Vehicle Testing", involving computer monitoring of the car on a dynamometer. All for improved quality and durability.

Quality is what makes an Olds worth owning.

Quality is the essential character of the Delta 88 Royale, and of every Oldsmobile. We invite you to take a test drive soon. Experience for yourself the special feel of quality that makes these cars worth owning.



Custom Cruiser provides a whopping 2469 litres (87.2 cubic feet) of cargo space with the second seat folded. Or order a fold-down third seat and you can carry eight in Oldsmobile comfort.

And you'll arrive relaxed and ready, thanks to Custom Cruiser's computer-selected coil spring suspension and Firm Ride and Handling Package. Four-Season air conditioning and Soft-Ray tinted glass are also standard in 1986.

You'll like Custom Cruiser's 4-barrel 5.0 Litre V8 and 4-speed automatic overdrive transmission, too. They add up to smooth, responsive performance every kilometre of the way.



Delta 88 Royale instrument panel shown with available equipment.*
*Note: Speedometers in Canada have major scale in km/h. Secondary in MPH and odometer in kilometres.

- 3.8 Litre Sequential-Port Fuel Injected V6
- Tinted Glass Removable Panel Sunroof
- 6-Way Power Divided Bench Seat Adjuster, Driver Side (55/45 Divided Bench Required)
- 6-Way Power Divided Bench Seat Adjuster, Passenger Side (55/45 Divided Bench Required)
- 55/45 Divided Bench seat with Individual Controls (Std. on Royale Brougham)
- Passenger Side Manual Reclining Seat Back
- Power Door Locks ■ Power Side Window
- 6-Way Power Bench Seat Adjuster (Available only on Delta 88 Royale Models with Standard Custom Bench Seat) ■ Driver Side Manual Reclining Seat Back ■ Power Trunk-Lid Lock Release ■ Auxiliary Front and/or Rear Carpet Floor Mats ■ Luggage Compartment Deluxe Trim ■ Door-Edge Guard Mouldings ■ Pulse Wiper System ■ Full Vinyl Rooftop Covering ■ Tempmatic Air Conditioner ■ Interior Lamp, Front Header – Courtesy and Dual Lens Reading Feature ■ Exterior Opera Lamp ■ Front Door Locks and Interior Illumination Package
- Inside Automatic Day/Night Mirror ■ Colour Coordinated Electrically Operated Outside Mirrors, Driver and Passenger Side ■ Colour Coordinated Outside Mirrors, Driver Side Remote Control, Passenger Side Manual ■ Illuminated Visor Vanity Mirror, Passenger Side ■ Colour Coordinated Outside Mirrors, Remote Control Driver and Passenger Side ■ Litter Container
- Body Side Paint Scheme ■ Body Accent Stripes ■ Level III Suspension System ■ Firm Ride and Handling Package ■ Automatic Electric Leveling System ■ Engine Block Heater
- Electronic Cruise Control With Resume and Acceleration Features ■ Electric Remote Control Fuel Filler Door Lock ■ Tilt-Away Steering Wheel ■ Aluminum-Styled 14" Wheels
- Aluminum-styled 15" Wheels ■ Simulated Wire Wheel Discs with Locks ■ Tires, Puncture Sealing ■ Tires, P205/75R-14 Steel-Belted Radial-Ply, White-Stripe, All-Seasons ■ Convenience Group: Lamps, Visor Vanity Mirror and Chime Tones (Std. on Royale Brougham) ■ Front Fender Cornering Lamps ■ Voice Information System Reminder (English only) ■ Instrument Panel Cluster ■ Trip Odometer ■ Instrument Panel Auto Calculator Digital Readout
- External Lamp Monitor – Front and Rear
- Instrument Panel Electronic Cluster ■ Extra

- Capacity Cooling System ■ High-Capacity Cooling System ■ Deck Lid Luggage Carrier
 - Custom Leather Trim in Seating Areas
 - Reminder Package ■ Universal 40-Channel CB, with Power Front Fender Tri-Band Antenna ■ Radio, Delco-GM Electronically Tuned AM/FM Stereo with Seek/Scan, Auto Reverse Cassette, Digital Display Clock – includes Dual Rear Speakers with Extended Range ■ Radio, Delco-GM Electronically Tuned AM Stereo/FM Stereo with Seek/Scan, Auto Reverse Cassette with Search/Repeat, Graphic Equalizer and Digital Display Clock – includes Dual Rear Speakers with Extended Range
 - Radio, Delco-GM/Bose Music System, Electronically Tuned AM/FM Stereo with Seek/Scan, Auto Reverse Cassette with Search/Repeat and Digital Display Clock – includes Delco-GM/Bose Speaker System ■ Dual Rear Radio Speakers ■ Power Front Fender Antenna
- Custom Cruiser Options

- Rear-Facing Third Seat ■ Power Door Locks and Tailgate ■ Body-Side and Tailgate Simulated Walnut Grain Panels ■ Rear Window Air Deflector ■ Rear Bumper Step included in Rear Seat Package ■ Rooftop Luggage Carrier
- Tires, P225/75R-15 Steel-Belted Radial-Ply White-Stripe, All-Seasons ■ Halogen High Beam Headlamps

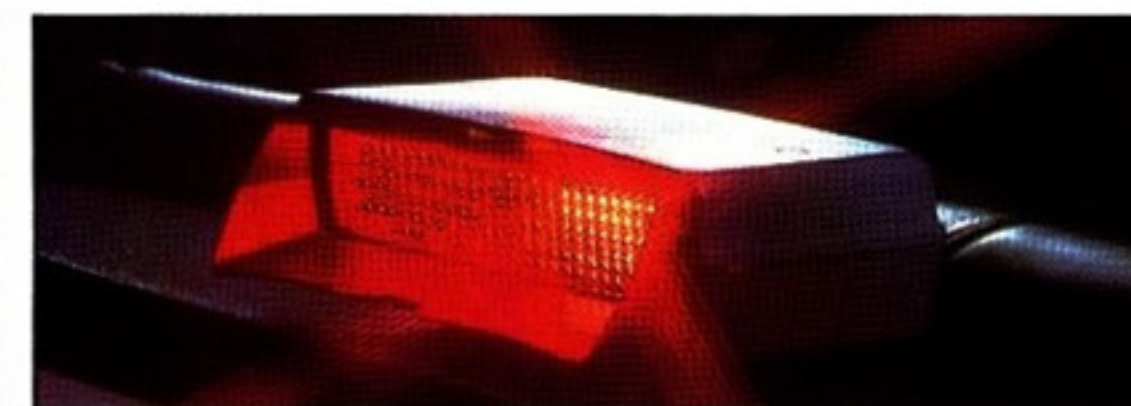


While there are many service contracts available on the market today, there is only one which gives you an agreement directly with General Motors. It is the one with the GM Protection Plan logo shown above. This logo on all Plan material assures you that the service contract you are buying is the GM Plan, we believe the finest such program available to GM owners.

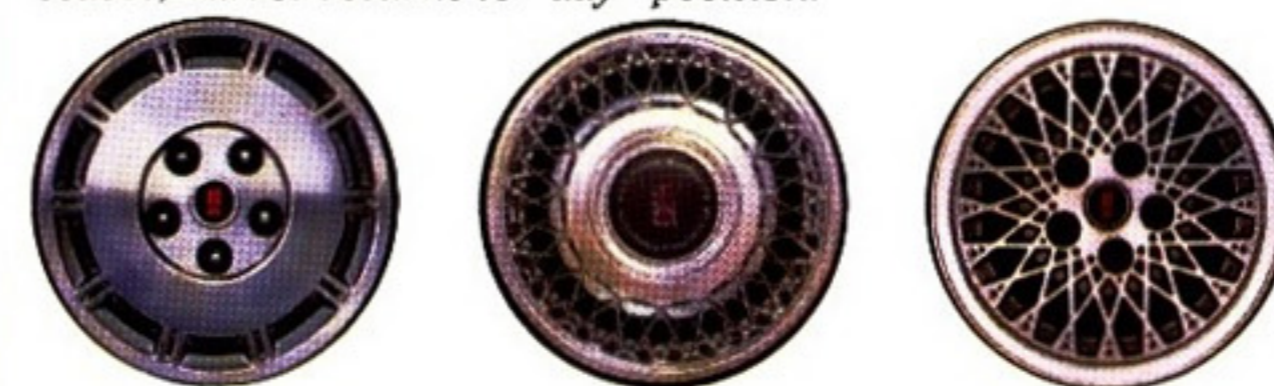
The GM Protection Plan provides additional protection during and after the new vehicle limited warranties. Ask your General Motors dealer for details and information about the genuine GM Protection Plan.



Available electronic day/night mirror automatically changes from "day" to "night" position. When glare ceases, mirror returns to "day" position.



Highly visible high-level stoplight is standard.



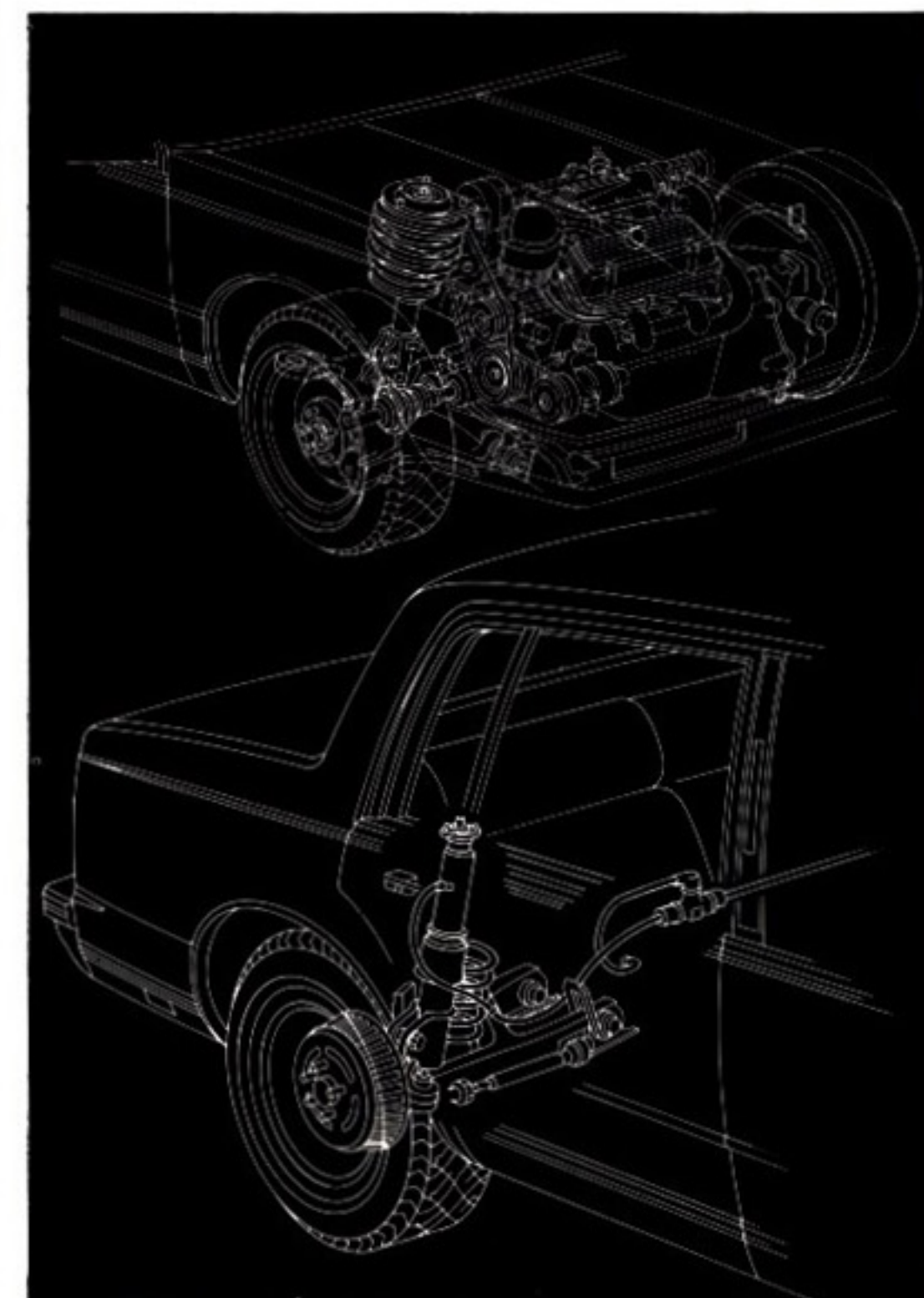
Available: Aluminum-styled wheel (left); simulated wire wheel disc with lock (middle) and aluminum-styled wheel with spokes for Level III Suspension (right).



Available tinted glass sunroof lifts out.



Available electronic instrument panel includes multicolour vacuum fluorescent display of vehicle speed, fuel level, engine temperature, trip odometer, etc. Voice information reminder system is also available.



Delta 88 Royale performance team. Front-wheel drive. Four-wheel independent suspension with MacPherson front struts. Power rack-and-pinion steering. Available 3.8 Litre V6 with Sequential-Port Fuel Injection.



Available power window and power door locks right at your fingertips.

MODEL AVAILABILITY

Delta 88 Royale:

2-Door Coupe/4-Door Sedan

Delta 88 Royale Brougham:

2-Door Coupe/4-Door Sedan

Custom Cruiser:

4-Door 2-Seat Station Wagon

DELTA 88 ROYALE

STANDARD EQUIPMENT

Chassis/Body/Mechanical

■ Engine, 3.0 Litre V6, with Multi-Port Fuel Injection ■ Transmission, 4-Speed Automatic with Overdrive and Column Shift ■ High-Capacity Battery ■ Unitized Body Construction ■ Front-wheel Drive ■ Four-Wheel Independent Suspension with MacPherson Front Struts and Rear Coil Springs ■ Extensive Anti-Corrosion Treatments ■ Low-Drag Power Front Disc Brakes ■ Power Rack-and-Pinion Steering ■ High-Energy Ignition System ■ Delcotron ■ Compact Spare Tire ■ Side-Frame Jack ■ Bumper Rub Strips, Front and Rear, Black ■ Recessed Windshield Wipers ■ Front-End Panel Stand-Up Ornament ■ Rearview Mirror Remote Control, Driver Side ■ Centre Hood, Roof Drip, Black Rocker Panel, Wheel-Opening and Body-Side Mouldings ■ Bright Deluxe Wheel Discs ■ Wheels, 14" x 6" ■ P205/75R-14 Steel-Belted Radial-Ply Blackwall Tires, All-Seasons ■ Windows, Soft-Ray Tinted ■ Halogen Headlamps.

Interior

■ Full-Foam Seat Construction ■ Custom Bench Front Seat with Centre Armrest ■ Acoustical Insulation ■ Air Conditioner, Four-Season ■ Armrests, Front and Rear ■ Side Window Defogger ■ Electric Rear Window Defroster ■ Cut-Pile Carpeting, Wall to Wall with Carpeted Lower Door Panels ■ Cigar Lighter, Instrument Panel ■ Dual Rear Door-Actuated Courtesy Lamps ■ Instrument Panel Ashtray, Glove Box and Dome Lamps ■ Deluxe Steering Wheel ■ Headlamp-On Warning Sound ■ Inside Day-Night Rearview Mirror ■ Multi-function Lever, includes 2-Speed Wipers, Turn Signals, H/L Dim-

POWER TEAMS			
Delta 88 Royale			Transmission Availability
Engine	Opt. No.	Engine Availability	Automatic w/Overdrive (MX0)
3.0 Litre MFI* V6 (A)	LN7	STD	STD
3.8 Litre SFI** V6 (A)	LG3	EC	STD
STD - Standard		EC - Optional at Extra Cost	
*Multi-Port Fuel Injection		**Sequential-Port Fuel Injection	
(A) Produced by GM - Buick Motor Division, U.S.A.			
Custom Cruiser			Transmission Availability
ENGINE	Opt. No.	Engine Availability	Automatic w/Overdrive (MX0)
5.0 Litre 4-Bbl. V8 (A)	LV2	STD	STD
STD - Standard (A) Produced by GM - Oldsmobile Motor Division, U.S.A.			
See your Oldsmobile salesperson for fuel consumption estimates for Delta 88 Royale and Custom Cruiser based on Transport Canada approved test methods.			

A WORD ABOUT ENGINES - Oldsmobiles are equipped with engines produced at facilities operated by GM car groups, subsidiaries or affiliated companies worldwide.

DIMENSIONS: mm (in.)	Coupe	Sedan	Custom Cruiser
Delta 88 Royale			
Wheelbase	2814 (110.8)	2814 (110.8)	2946 (116.0)
Length (overall)	4978 (196.0)	4978 (196.0)	5596 (220.3)
Width (overall)	1831 (72.1)	1831 (72.1)	2027 (79.8)
Height (loaded)	1389 (54.7)	1410 (55.5)	1501 (59.1)
Head Room - Front	973 (38.3)	988 (38.9)	1005 (39.6)
Head Room - Rear	955 (37.6)	970 (38.2)	999 (39.3)
Leg Room - Front	1077 (42.4)	1077 (42.4)	1072 (42.2)
Leg Room - Rear	940 (37.0)	975 (38.4)	960 (37.8)
Usable Trunk/Cargo Volume: Litres (cu. ft.)	456 (16.1)	456 (16.1)	2469 (87.2)
Fuel Tank Capacity: Litres (gals.)	68 (15.0)	68 (15.0)	95 (20.9)

mer and Washer ■ Radio, ETR AM/FM Stereo with Seek/Scan, Digital Display Clock and Dual Rear Speakers ■ AM/FM Stereo Radio with Dual Rear Speakers and Fixed Mast Antenna ■ Interior Hood Release ■ Deluxe Safety Belts ■ Centre High-Mounted Stop Lamp ■ Flo-Thru Ventilation.

DELTA 88 ROYALE BROUGHAM Additional Standard Equipment

■ Rocker Panel Mouldings, Bright ■ Convenience Group: Lamps, Visor Vanity Mirror and Chime Tones ■ Seat, 55/45 Divided Bench with Centre Armrest.

CUSTOM CRUISER

Additional Standard Equipment

■ Engine, 5.0 Litre 4-Bbl. V8 ■ Transmission, 4-Speed Automatic with Overdrive ■ Torque Beam Frame Construction ■ Full Coil Spring Suspension, Front and Rear ■ Power Steering

■ Firm Ride and Handling Package ■ 3-Way Tailgate with Power Window Operation ■ P225/75R-15 Steel-Belted Radial-Ply Blackwall Tires ■ Heavy-Duty Wheels 15" x 7" ■ Seat, 55/45 Divided Bench with Individual Controls ■ Rear Storage Compartment Lock ■ Convenience Group: Lamps, Visor Vanity Mirror and Chime Tones ■ Radio, AM/FM Stereo with Dual Rear Speakers and Fixed Mast Antenna.

SAFETY FEATURES

Occupant Protection

■ Manual lap/shoulder belts for driver and right front passenger (driver side includes visual and audible warning system) ■ Manual lap belts at each rear seat position, (and centre front, when applicable) ■ Energy absorbing steering column ■ Energy absorbing instrument panel ■ Energy absorbing

front seat, back tops ■ Laminated safety glass windshield and tempered safety side and rear window glass ■ Safety interlocking door latches ■ Passenger-guard inside door lock handles ■ Inertia-locking, folding front seat backs ■ Safety armrests ■ Head restraints, driver and right front passenger (adjustable).

Accident Avoidance

■ Side marker lights and reflectors ■ Parking lamps that illuminate with headlamps ■ Four-way hazard warning flasher ■ Backup lights ■ Centre high-mounted stop lamp ■ Directional signal control and lane change feature ■ Windshield defroster, washer and dual-speed wipers ■ Inside rearview mirror with vinyl-bonded glass ■ Dual outside rearview mirrors ■ Brake system with dual master cylinder and warning light ■ Starter safety switch ■ Dual action hood latch system ■ Low glare finish on instrument panel top, inside windshield mouldings, wiper arms and blades, and metallic steering wheel surfaces ■ Illuminated heater and defroster controls ■ Illuminated windshield wiper and washer controls ■ Tires with built-in tread-wear indicators.

Theft Deterrence

■ Audible reminder for ignition key removal ■ Theft-deterrent steering column lock ■ Visible vehicle identification number.

FOR YOUR PROTECTION*

1. New Vehicle Limited Warranty - 12 months or 20,000 kilometres, whichever comes first.
 2. Powertrain Coverage - 36 months or 60,000 kilometres, whichever comes first on gasoline engines (\$100 deductible).
 3. Owner Assistance Program.
 4. Special Policy Adjustment Program.
- *Ask your dealer for details.



5-year unlimited kilometres corrosion perforation warranty. On all 1986 GM passenger cars. Ask your dealer for details.

COMMITMENT TO

Excellence

General Motors recognizes that taking delivery of your new vehicle is a significant event. To ensure that your delivery experience contributes to your overall satisfaction, we have implemented a "Commitment to Excellence" Delivery Procedure.

This procedure includes a thorough new vehicle inspection by both the service technician and salesperson, a full tank of fuel, and a follow-up survey to determine your satisfaction with the delivery experience.

General Motors "Commitment to Excellence" is yet another excellent reason to "Look at GM Today".

A WORD ABOUT THIS CATALOGUE

The vehicles described in this catalogue incorporate components produced by General Motors of Canada Limited and related companies and suppliers. During manufacturing, different components than initially scheduled may be used.

All illustrations and specifications contained in this catalogue are based on the latest product information at time of publication approval. The right is reserved to make changes at any time, without notice, in prices, colours, materials, equipment, specifications and models, and to discontinue models. Some of the equipment shown or described throughout this catalogue is available at extra cost or can only be ordered in conjunction with the other optional equipment. Some options may not be available when your vehicle is built. Check with your dealer for complete information.

There is a special feel in an

Oldsmobile

General Motors of Canada Limited,
Oshawa, Ontario