

# 1983 OLDSMOBILE OMEGA



Omega Brougham Coupe.

*Oldsmobile*

**Have one built for you.**

# OMEGA BROUGHAM SEDAN

In a place and time where efficiency goes hand in hand with intelligent value, it's right at home.



Omega Brougham Sedan.

**It may be compact on the outside... but inside, it's comfortable.** A lot like being at home. Elegant Oldsmobile style in a compact size that's right for today. That's what an Omega Brougham sedan or coupe is all about. And it all begins inside with rich, sumptuous seating. Fold-down centre armrest. Plenty of room for driver and passengers, alike.

Under the hood, there's a standard 2.5 litre L4 engine. A 2.8 litre V6 engine is available for added performance. Omega also delivers a lot of driving pleasure. Front-wheel drive puts weight over the front wheels to help pull you through rain, snow and slush. Rack-and-pinion steering further enhances Omega's handling. It parks like a dream, handles the turns and

stretches out on a straight-away with typical Olds smoothness. There's a lot to like about a car that's a compact, yet roomy Oldsmobile. Omega Brougham gives it to you. It fits right in wherever elegance in a practical form is called for. With you it will be right at home.

# OMEGA COUPE & SEDAN

It's comfortable. It's affordable. It's a medley of values that are right at home. Omega has made quite a respectable name for itself with its front-wheel drive traction and its bumper-to-bumper style. Choose either coupe or sedan and get solid Olds value. Omega's new custom sport bench seating with fold-down centre armrest is standard. Omega is everything we think a compact Olds should be—comfortable, affordable and definitely fuel efficient.



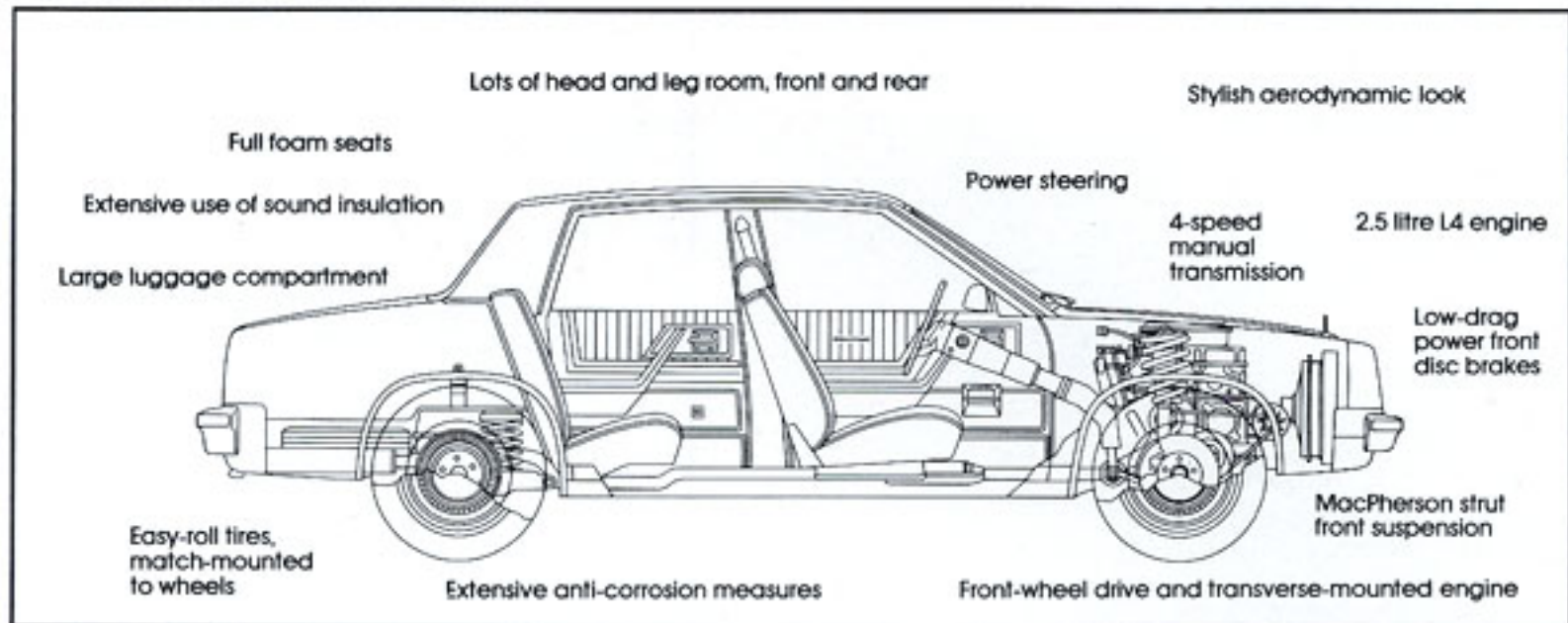
Omega Coupe (foreground) and Sedan.

## OMEGA ES

To some, driving a road isn't the challenge. Manoeuvring it gracefully is. That's when it's right at home. From its special front-wheel drive Firm Ride and Handling Package to the special ES styling touches, Omega ES is outfitted to take a winding road and make it seem straight. With optional 2.8 litre 2-bbl. high output V6 engine, Omega ES is a driver's car in the grand touring tradition. Omega ES...just about everything is standard except the driving gloves.



# A CLOSER LOOK



## STANDARD FEATURES

### Chassis/Mechanical/Body:

- High-Energy Ignition System
- Power Assisted Rack-and-Pinion Steering
- Low-Drag Power Front Disc Brakes
- MacPherson Strut Front Suspension
- Integral Body/Frame Construction
- Front Cradle Strut Engine Mounting
- 2.5 Litre L4 Transverse-Mounted Engine with Front-Wheel Drive
- Four-Speed Manual Transmission with Floor Shift
- Space-Efficient Trunk
- Compact Spare Tire
- Bright Side Window Frames
- Dual Fluidic Windshield Washers
- Easy-Rolling P185/80R13 Glass-Belted Radial-Ply Blackwall Tires
- Tungsten Halogen Headlamp High Beams
- Deluxe Wheel Discs
- Patch Style Rearview Mirror, Driver Side.

### Interior:

- Full-Foam Seat Construction
- Armrests, Front and Rear
- Cut-Pile Carpeting Wall-to-Wall
- Colour-Coordinated Brushed Texture Instrument Panel Accents
- Interior Operated Hood Lock Release
- Headlamp-On Warning
- Cigar Lighter
- Inside Day/Night Rearview Mirror
- Deluxe Seat Belts Colour-Matched to Interior
- Flo-Thru Ventilation
- Deluxe Steering Wheel (Brougham)
- AM Push-button Radio with Dual Front Speakers and Fixed Mast Fender Antenna.

### ADDITIONAL STANDARD EQUIPMENT BY MODEL

#### Omega Coupe and Sedan:

- Custom Sport Bench Front Seat with Centre Armrest in choice of Cloth or Vinyl
- Lamp Switch Automatic Front Doors
- Rocker Panel Mouldings (Sedan)
- Wheel Opening Mouldings (Sedan).

#### Omega Brougham Coupe and Sedan:

- Carpeted Lower Door Panels
- Lower Body Side Mouldings
- Hood Moulding and Stand-Up Ornament
- Pillar Applique Moulding (Sedan)
- Specific Sail-Panel Ornament and Identification
- Deluxe Steering Wheel.

#### Available Omega ESC (Coupe) and

#### ES (Sedan) Packages:

- ES2500 with 2.5 litre L4 Engine
- ES2800 with 2.8 litre V6 Engine
- Specific Grille with "Soft" Sloping Front End
- Wraparound Bumpers with Integral Scoop in Car Colour
- Wide Body Side Mouldings
- Bumper Rub Strips
- Blacked-Out Headlamp and Taillamp Bezels, Window Reveal and Pillar Mouldings
- Instrument Panel Engine Turn Appliques
- Bright Roof Drip Mouldings
- Sport Mirrors
- Firm Ride and Handling Package
- Custom Sport Steering Wheel
- Steel-Belted Radial-Ply Tires
- Rallye Gauges
- Available on Omega Brougham Coupe and Sedan, Choice of 4 Exterior Colours, 3 Interior Trims.

## SAFETY FEATURES

### Occupant Protection:

- Manual lap/shoulder belts with push-button buckles for driver and right front passenger (driver's side includes visual and audible warning system)
- Manual lap belts with push-button buckles at rear passenger positions including the centre
- Energy-absorbing steering column
- Passenger guard inside door locks
- High-strength safety door latches and hinges
- Inertia-type folding front seat back latches
- Energy-absorbing instrument panel and front seat back tops
- Laminated safety glass windshield/tempered safety glass side and rear windows
- Safety armrests
- Standardized identification symbols for controls and displays
- Front seat head restraints for driver and right front passenger (adjustable or integral).

### Accident Avoidance:

- Side marker lights and reflectors
- Parking lamps that illuminate with headlamps
- Four-way hazard warning flasher
- Backup lights
- Lane-change feature in direction signal control
- Windshield defrosters, washer and dual-speed wipers
- Vinyl-bonded inside mirror glass
- Outside left rearview mirror
- Dual master cylinder brake system with warning light
- Starter safety switch
- Dual-action safety hood latch.

### Anti-Theft:

- Audible anti-theft ignition key reminder
- Anti-theft steering column lock
- Inside hood release.

## POWER TEAMS

Engine	Ordering code	Displacement (cubic inches)	Engine Availability	Transmission Availability		Computer Command Control System Opt. NB1
				4-Speed Manual	Automatic	
2.5 Litre 2-Bbl. L4 (A)	LW9	151	Std.	Std.	EC	NA
2.8 Litre 2-Bbl. V6 (B)	LE2	173	EC	Std.	EC	NA
2.8 Litre 2-Bbl. HO V6 (B)	LH7	173	EC	Std.	EC	Req.

Std.-Standard EC-Optional at Extra Cost Reg.-Required at Extra Cost  
NA-Not Available

(A) Produced by GM-Pontiac Motor Division, U.S.A.

(B) Produced by GM-Chevrolet Motor Division, U.S.A.

**Caution:** Use of leaded fuel will cause the Computer Command Control System to malfunction.

**See your Oldsmobile salesperson for Transport Canada approved fuel consumption estimates for Omega.**

### A WORD ABOUT ENGINES

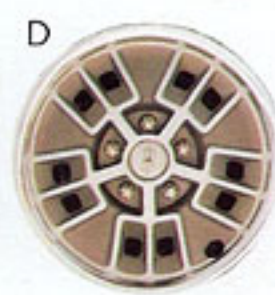
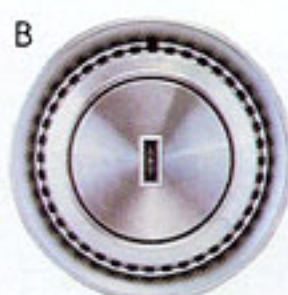
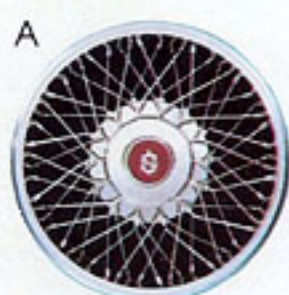
Some Oldsmobiles are equipped with engines produced by other GM divisions, subsidiaries or affiliated companies worldwide. See your dealer for details.

# STANDARD AND AVAILABLE EQUIPMENT

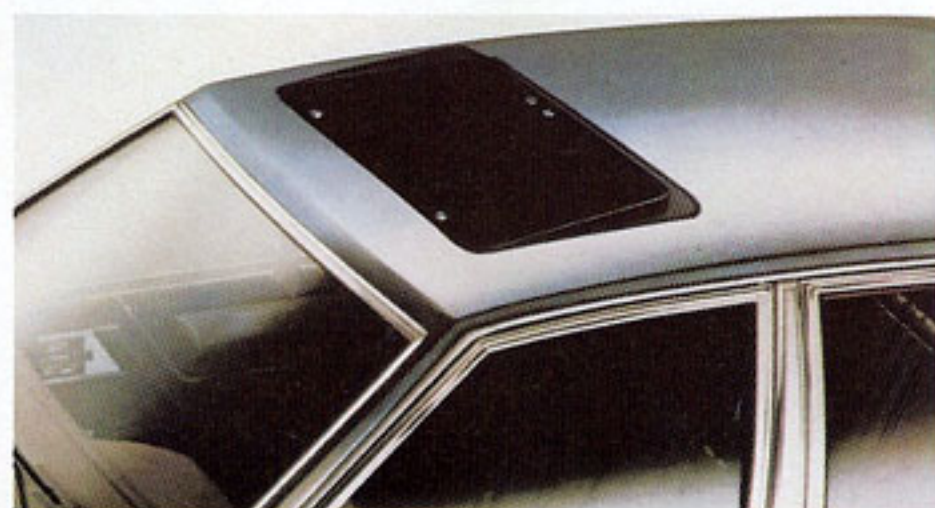


Omega instrument panel.  
Deluxe steering wheel standard on Brougham.

Note: Speedometers in Canada have major scale in km/h, secondary in MPH and odometer in kilometres.



Omega wheel trims. (A) Wire wheel discs with locks. (B) Deluxe wheel discs are standard. (C) Super stock wheels. (D) Polycast sport wheels are available on Omega ES models.



Sunroof available. A tinted glass panel pops open for sun.

## OPTIONS

- 6-Way Power Seat Adjuster (Bucket Seat, Driver Side) ■ 6-Way Power Seat Adjuster (Bench-Auto. Trans. required) ■ Reclining Seat Back, Manual; Passenger Side ■ Removable Sunroof, Tempered Glass Panel ■ Power Door Locks ■ Power Side Windows ■ Soft-Ray Tinted Glass ■ Contour Front Bucket Seats ■ Power Trunk-Lid Lock Release ■ Pillar Applique Mouldings (Omega Sedan) ■ Lower Body Side Mouldings (Omega Models) ■ Auxiliary Floor Mats with Carpet inserts ■ Bright Roof Drip Mouldings (included with Vinyl Rooftop Coverings) ■ Body Side Mouldings, Black ■ Belt Reveal Mouldings (Omega Sedan) ■ Bright Door-Edge Guards ■ Pulse Wiper System ■ Landau Padded Vinyl Rooftop Covering (Coupes); Full Vinyl Rooftop Covering (Sedans) ■ Four-Season Air Conditioner ■ Outside Remote Control Mirror Driver Side ■ Outside Mirrors, Remote Control Driver Side ■ Colour-Coordinated Mirrors, Remote Control Driver and Passenger Side ■ Electric Rear Window Defroster ■ Sport Console with Floor Shifter (Bucket Seats required) ■ Body Side Accent Stripes ■ Engine Block Heater ■ Cruise Control with Resume Feature ■ Custom Sport Steering Wheel ■ Super Stock Wheels w/Body Colour ■ Wire Wheel Discs with Locks ■ Tires, P185/80R13 Steel-Belted Radial-Ply Blackwall ■ Tires, P185/80R13 Steel-Belted Radial-Ply White-Stripe ■ Tires, P205/70R13 Steel-Belted Radial-Ply Blackwall ■ Tires, P205/70R13 Steel-Belted Radial-Ply White-Stripe (Ride and Handling Package required) ■ Tires, P205/70R13 Steel-Belted Radial-Ply Blackwall with Raised White Letters (Ride and Handling Package required) ■ Tires, P185/80R13 Glass-Belted Radial-Ply White-Stripe ■ Convenience Group: Lamps, Visor Vanity Mirror and Chime Tones ■ Firm Ride and Handling Package ■ High-Capacity Cooling ■ High-Capacity Battery ■ Digital or Regular Quartz Clock ■ Dual Horns ■ Instrument Panel Rallye Cluster: includes Tachometer, Trip Odometer, Voltmeter, Temperature Gauges ■ Trip Odometer ■ Bumper Rub Strips and Bumper Guards, Front and Rear ■ Two-Tone Paint Schemes ■ Radios and Tape Players: ETR AM/FM stereo w/Cassette, ETR AM/FM stereo w/Cassette (No Seek and Scan), ETR AM/FM stereo (No Seek and Scan), ETR AM/FM stereo (No Seek/Scan, No Clock).

### DIMENSIONS: Millimetres (Inches)

#### Exterior

	Coupe	Sedan
Wheelbase	2664 (104.9)	2664 (104.9)
Length (overall)	4618 (181.8)	4643 (182.8)
Width (overall)	1773 (69.8)	1773 (69.8)
Height (loaded)	1365 (53.7)	1392 (54.8)

#### Interior

	Coupe	Sedan
Head Room-Front	970 (38.2)	970 (38.2)
Head Room-Rear	950 (37.4)	950 (37.4)
Leg Room-Front	1072 (42.2)	1072 (42.2)
Leg Room-Rear	876 (34.5)	902 (35.5)
Hip Room-Front	1386 (54.6)	1386 (54.6)
Hip Room-Rear	1359 (53.5)	1369 (53.9)
Shoulder Room-Front	1430 (56.3)	1422 (56.0)
Shoulder Room-Rear	1430 (56.3)	1425 (56.1)
Usable Trunk Capacity: Litres (cu. ft.)	405 (14.3)	405 (14.3)
Fuel Tank Capacity: Litres (gals.)	53 (12.2)	53 (12.2)

#### CONTINUOUS PROTECTION PLAN

The GM Continuous Protection Plan offers service protection in addition to that provided by GM's new-vehicle limited warranty. Ask your Oldsmobile dealer about it. Coverage available only in the U.S.A. and Canada. Also, see your Oldsmobile dealer for details and information about GM's 24-month/40,000 kilometres (24,000 mile) Power-Protection-Plus Limited Warranty.